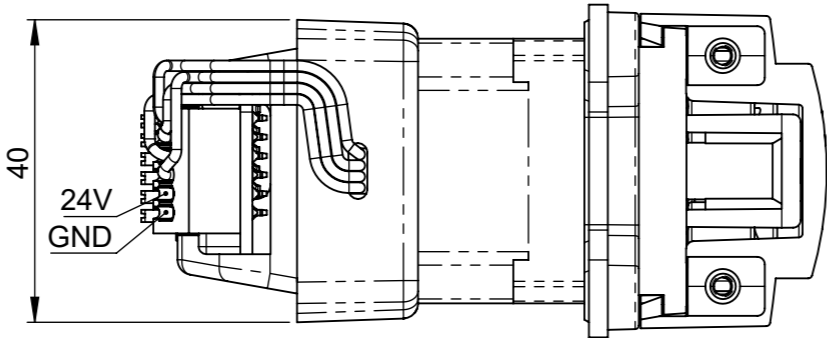
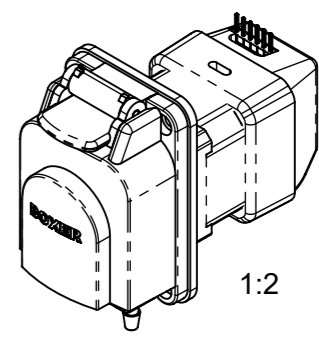
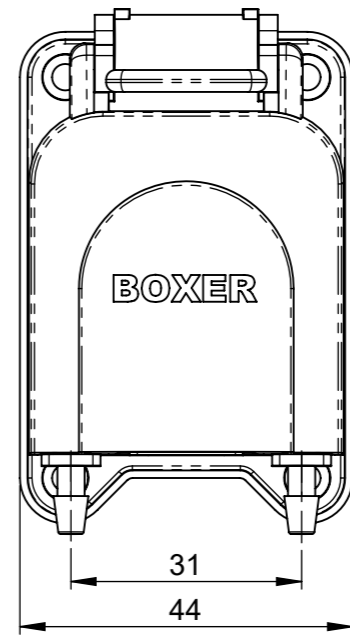
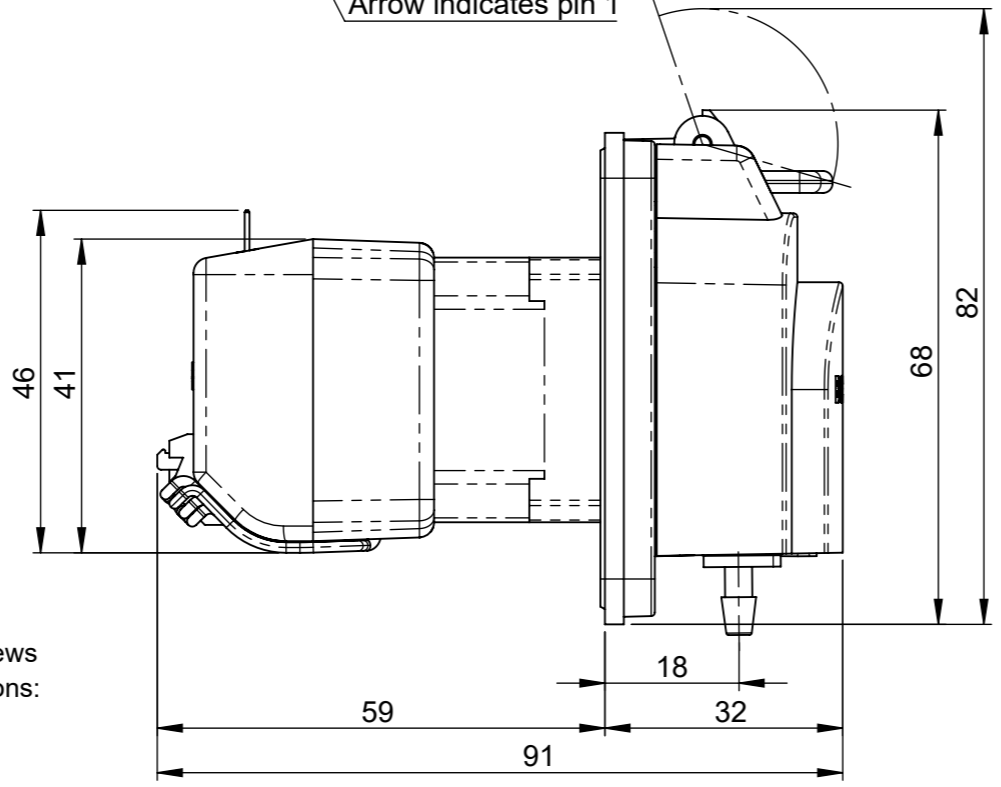
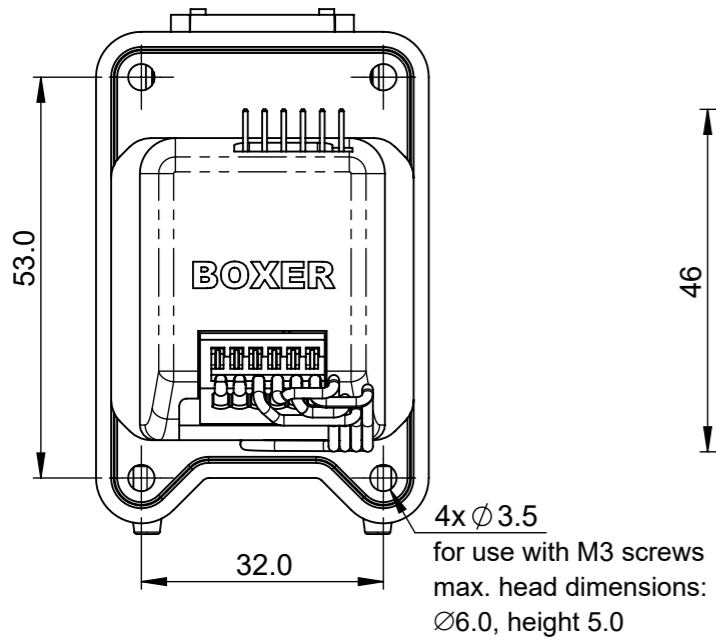
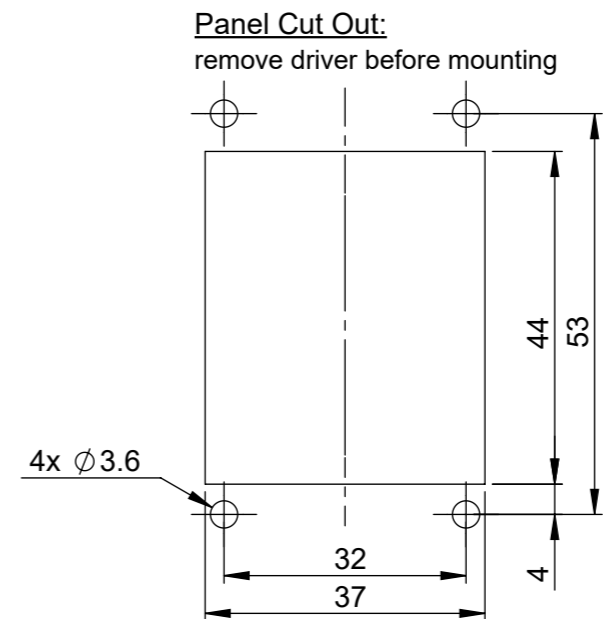
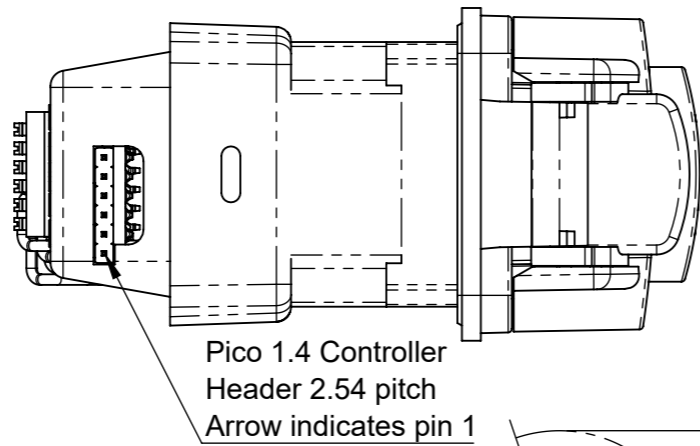


Pico 1.4 Controller Header Pin Out	
1	GND Output
2	Step Input
3	Speed Input 0 to 5V or 0 to 100% PWM
4	Direction Input GND = CW, 5V/open = CCW
5	Enable / Disable Input GND = Disable, 5V/open = Enable
6	5V Output



Part Number Explanation:
9 8 [X] [X] . 9 [X] 0

driver type
0: none
6: Pico 1.4

sensor type
0: none
1: speed sensor
2: encoder

number of rollers
3: 3 rollers
4: 4 rollers
6: 6 rollers

DIMENSIONS STATED IN MM

BOXER Marktplatz 9 • 87724 Ottobeuren • Germany	Surface Quality	Default Tolerances ISO 2768-mK	Material, Colour ---, ---	
	Rev. Date (D.M.Y.) CRE CHE APP	Part Number 9860.9[X]0	Part Name 9QQ with driver	
04		Tool Number ---	Project 9K	Scale 1:1
03				Sheet 1 of 1
02				
01				
00	14.06.2024	RZe SCo SSp	File Name: 98xx.930_9QQ_CombiPlate	